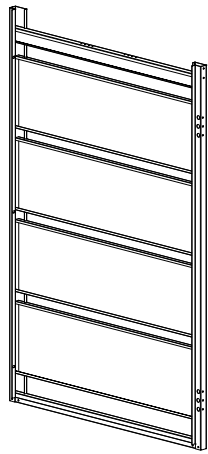
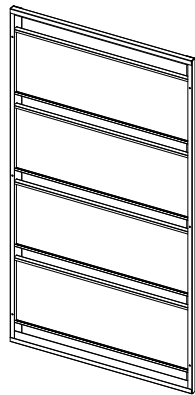


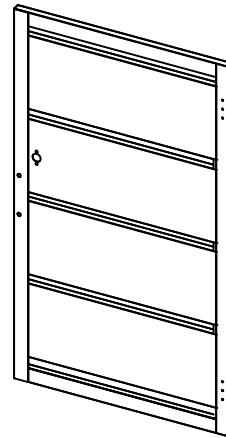
Ax1



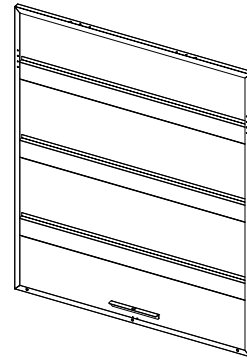
Bx1



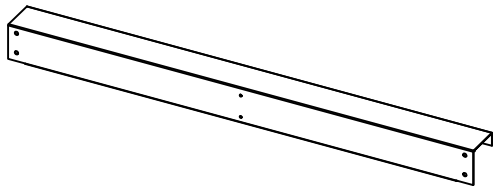
Cx3



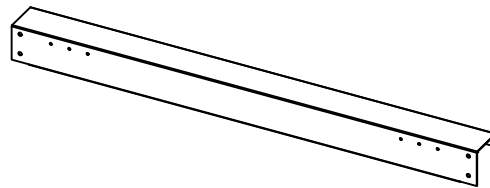
Dx3



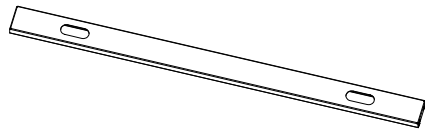
Ex3



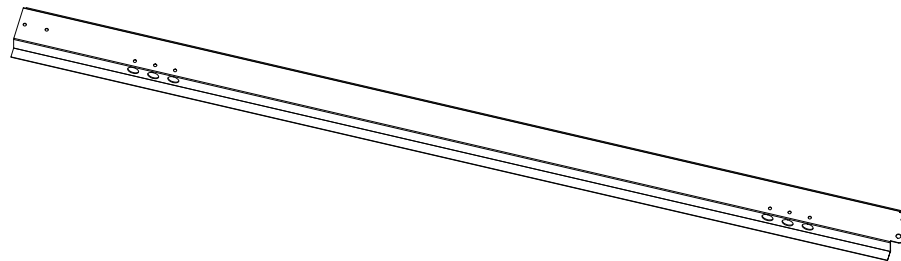
Fx3



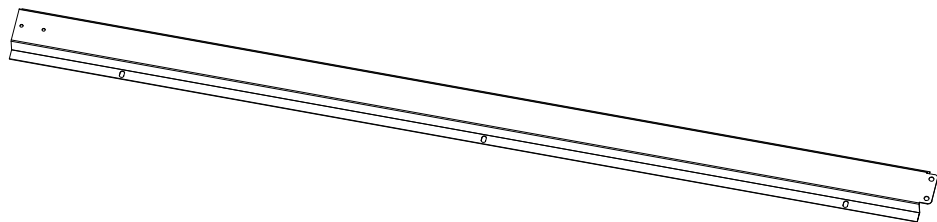
Gx3



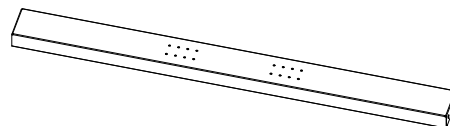
Hx6



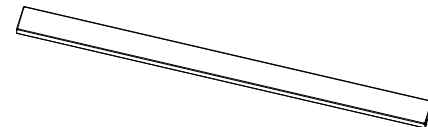
Ix2



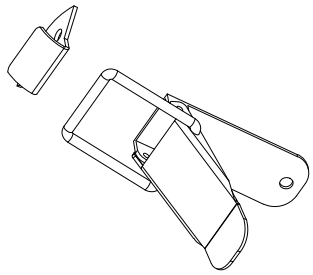
Jx2



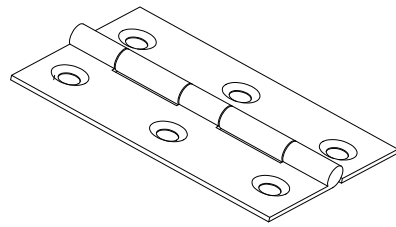
Kx2



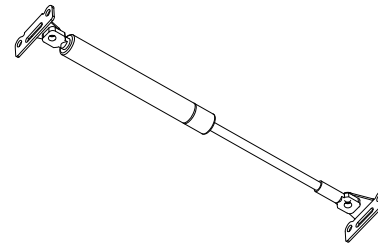
Lx2



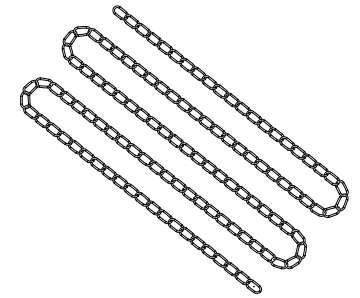
M×3



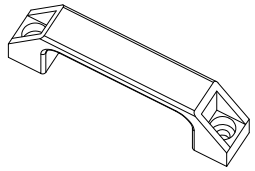
N×12



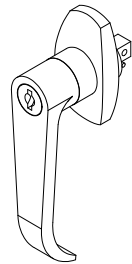
O×6



P×3



Q×6



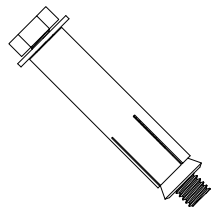
R×3



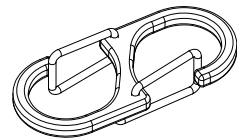
S×36 (M4)



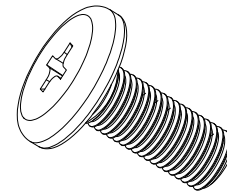
T×162 (M5)



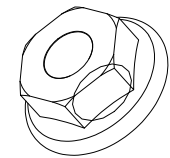
U×10



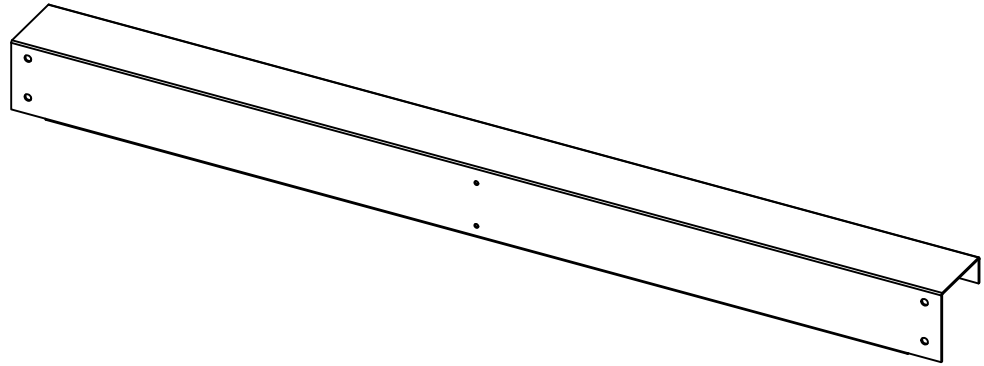
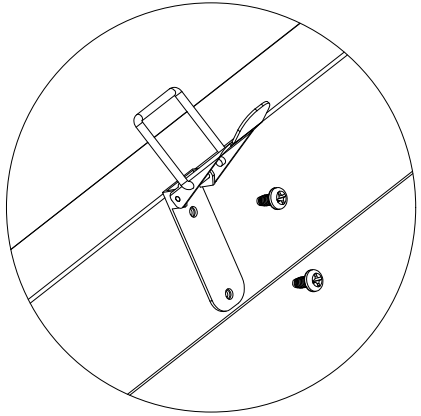
V×3



W×12 (M6)



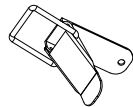
X×6



FX3

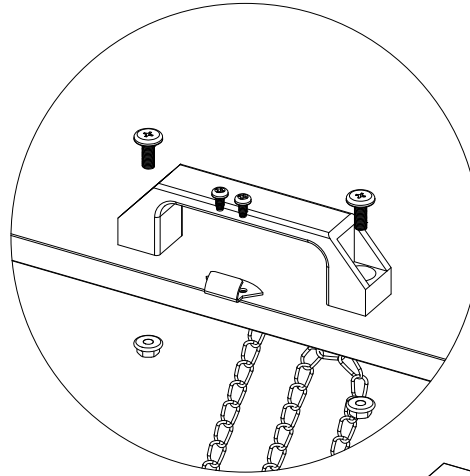


Sx6 (M4)



Mx3

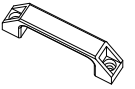
1



Wx6 (M6)



Sx6 (M4)



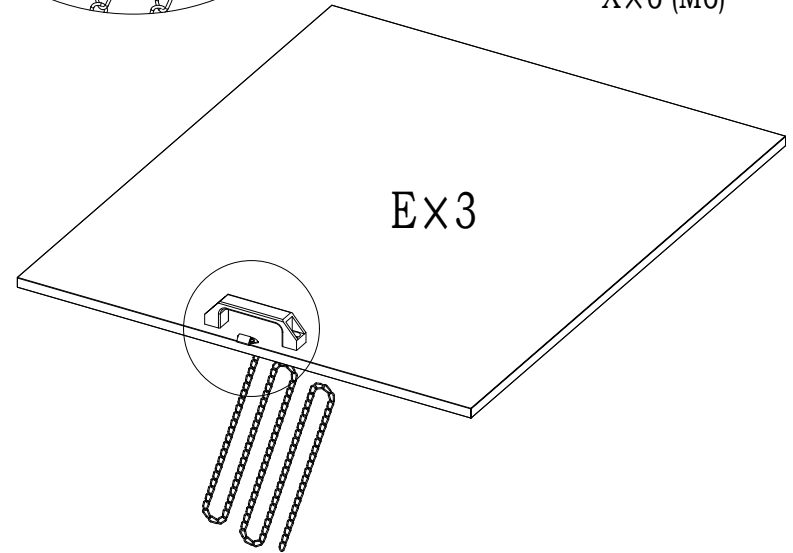
Qx3



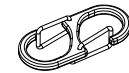
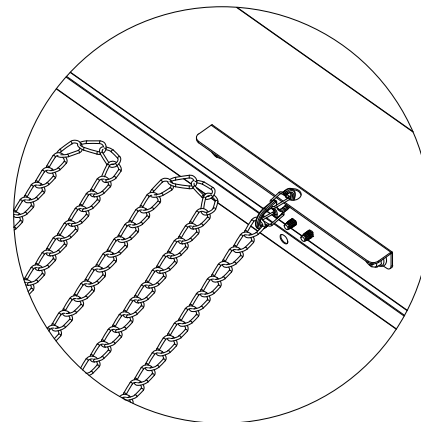
Xx6 (M6)



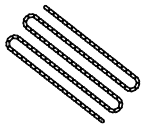
Mx3



EX3



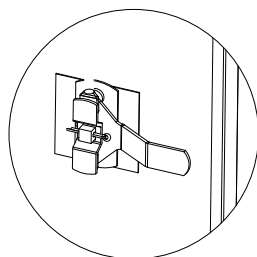
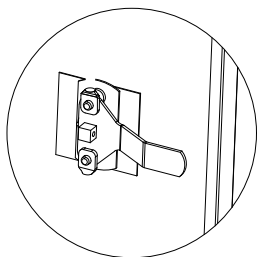
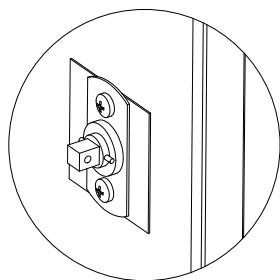
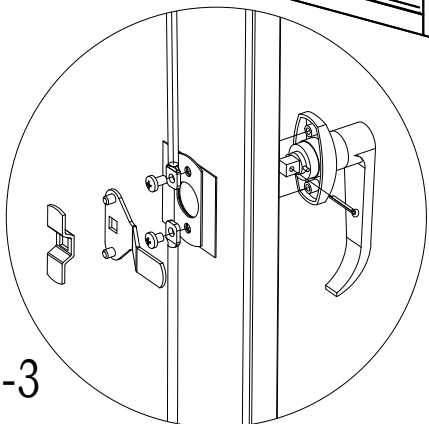
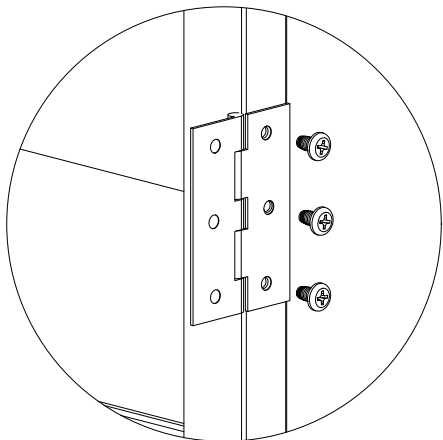
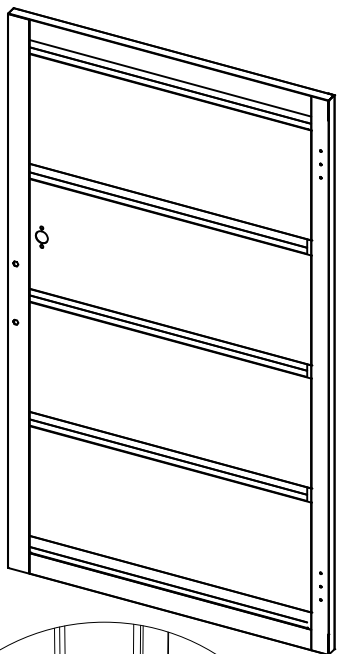
Vx3



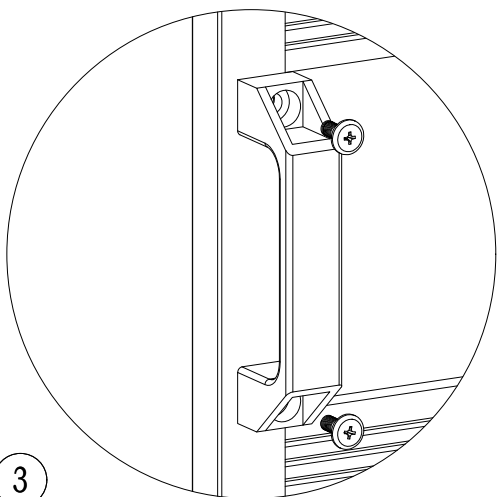
Px3

2

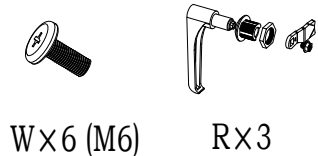
DX3



R-3

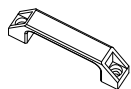


3



Wx6 (M6)

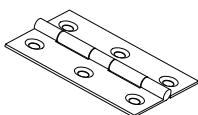
Rx3



Qx3



Tx18 (M5)

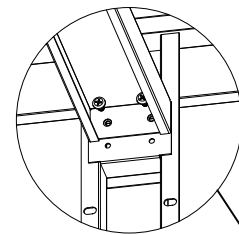


Nx6

4



Tx8 x 2 (M5)

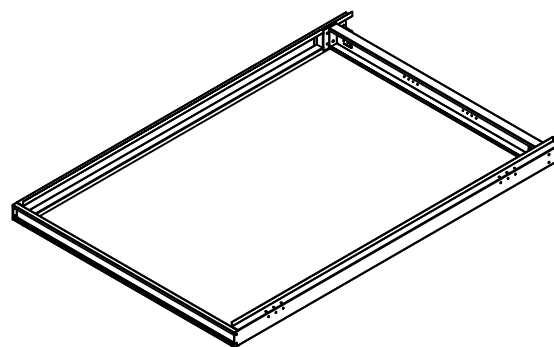


Jx2

Kx2

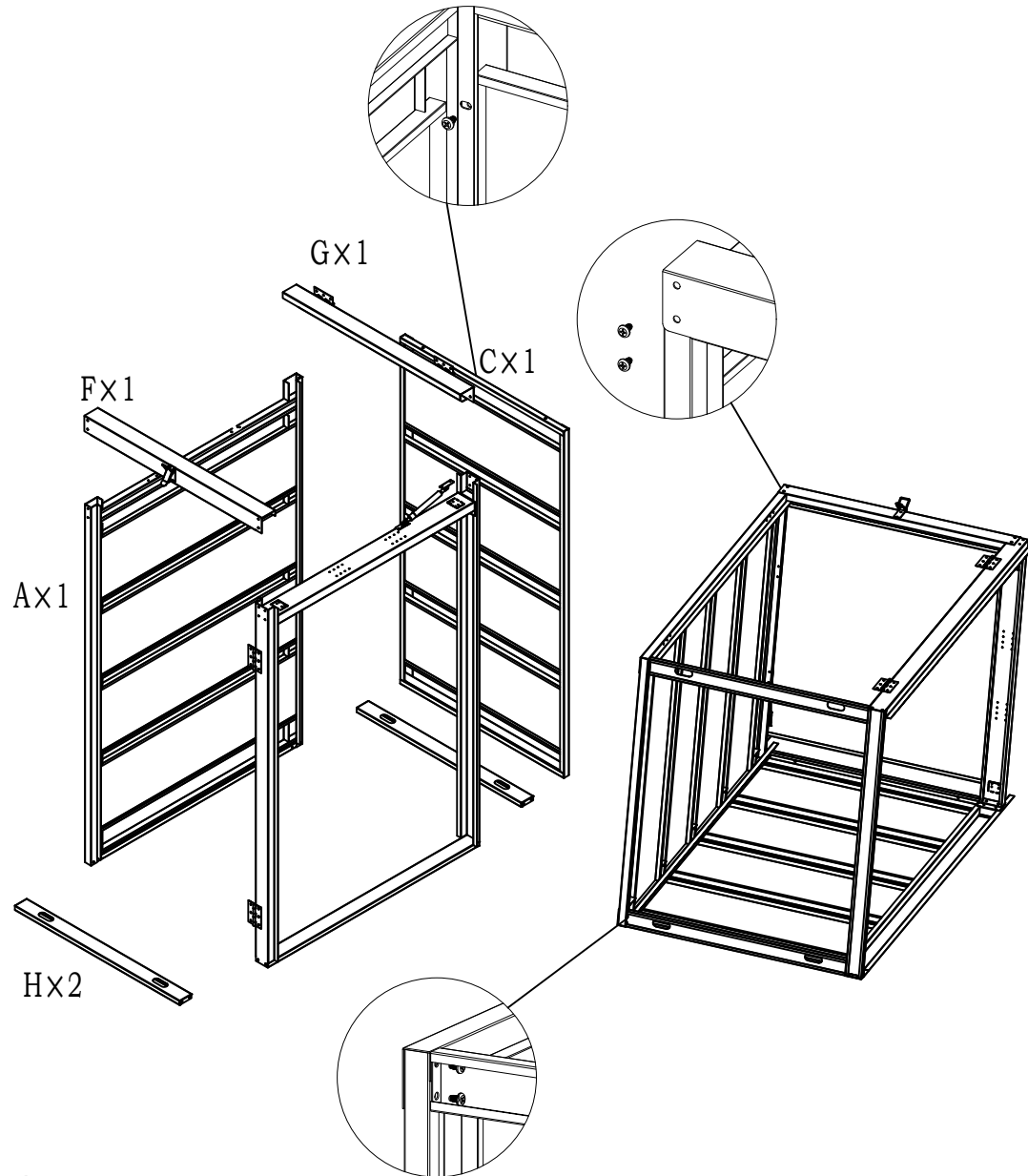
Lx2

Ix2





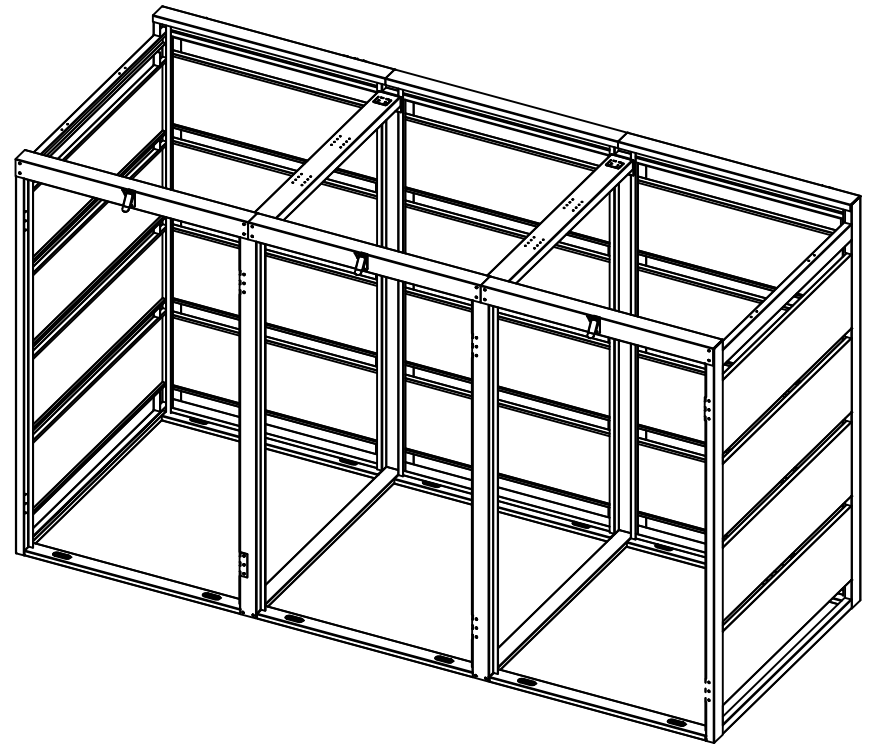
T x 20 (M5)



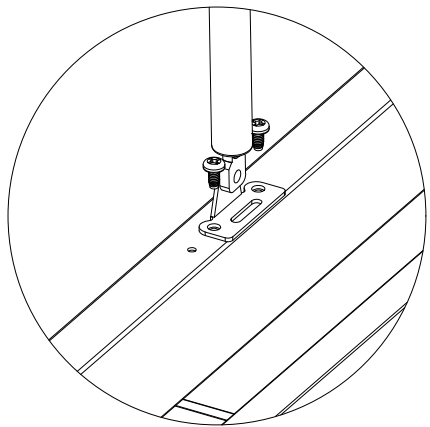
5



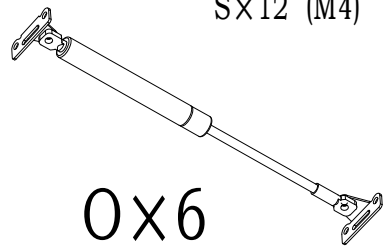
T x 58 (M5)



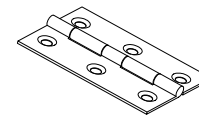
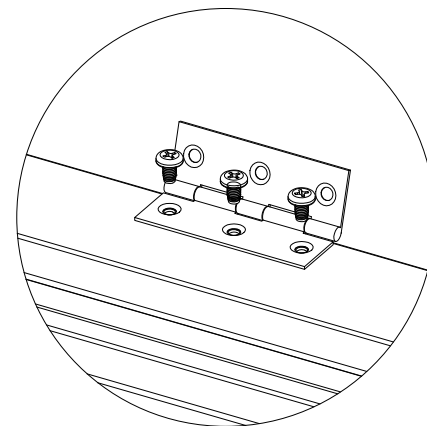
6



Sx12 (M4)



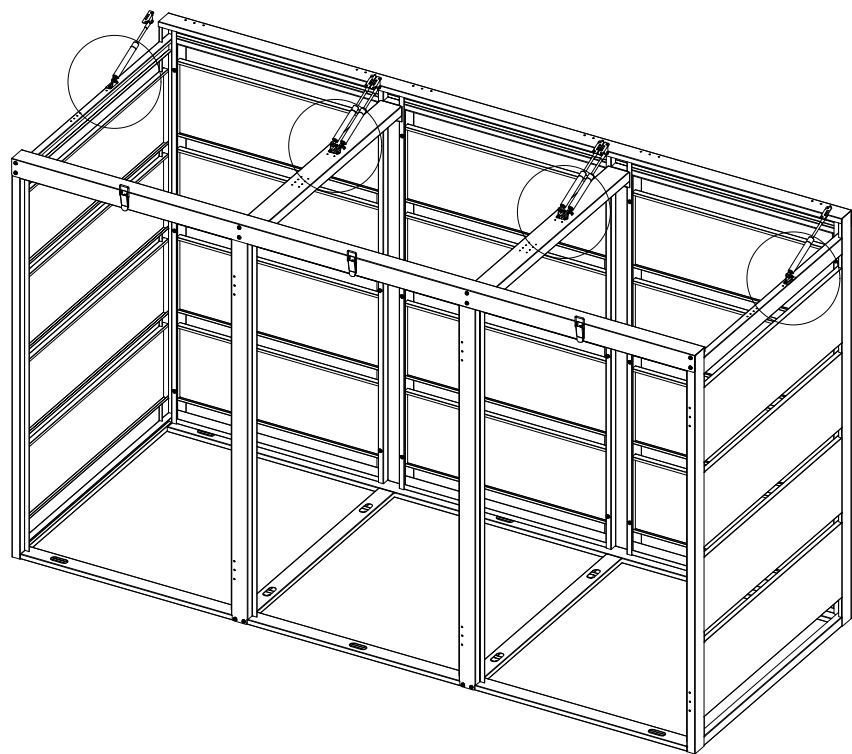
Ox6



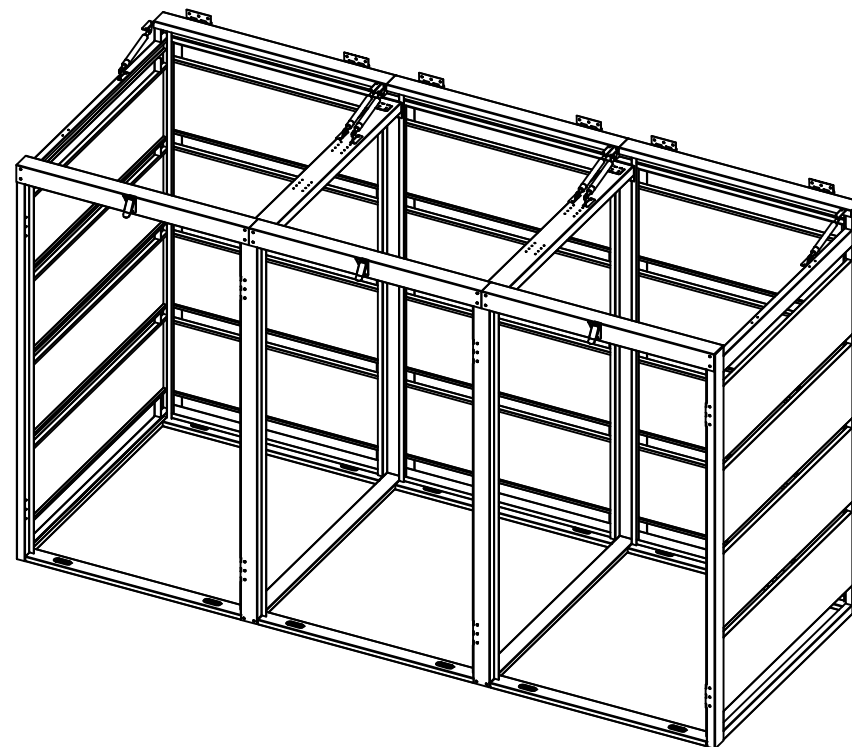
Nx6



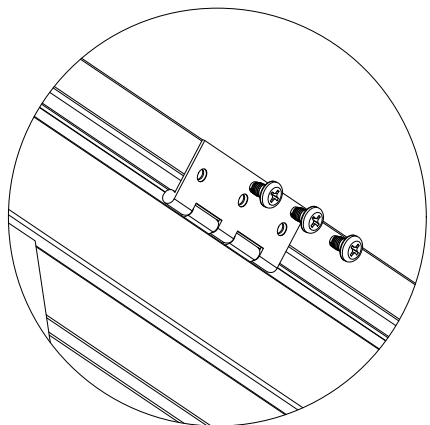
Tx18 (M5)



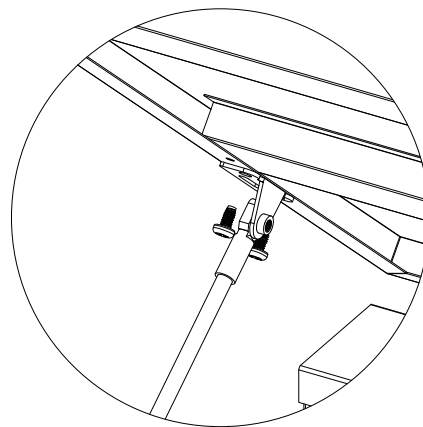
7



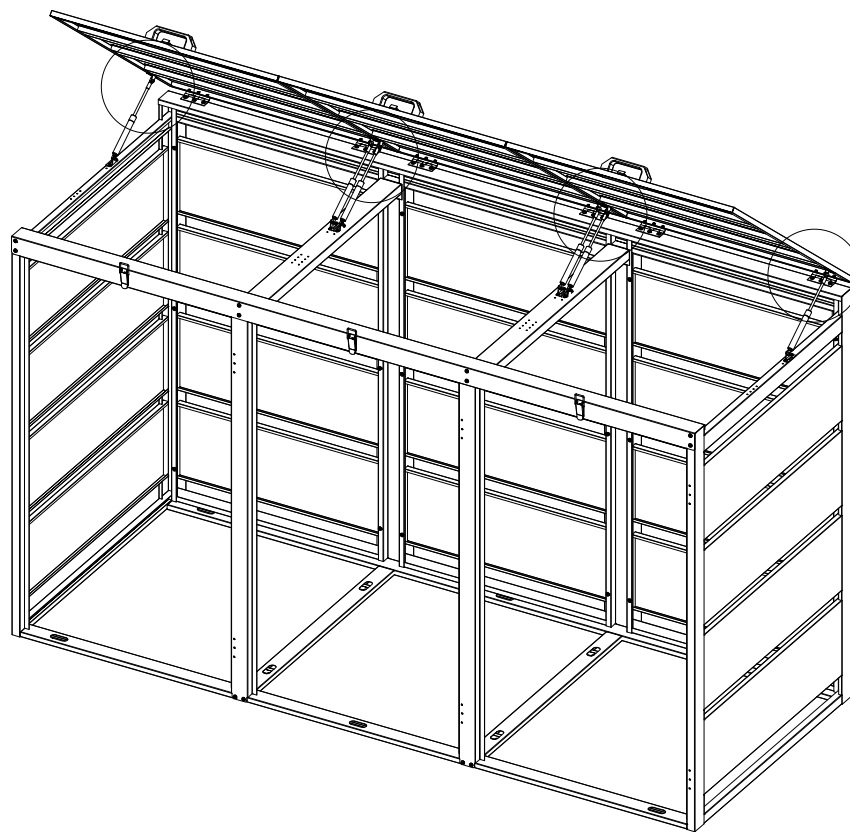
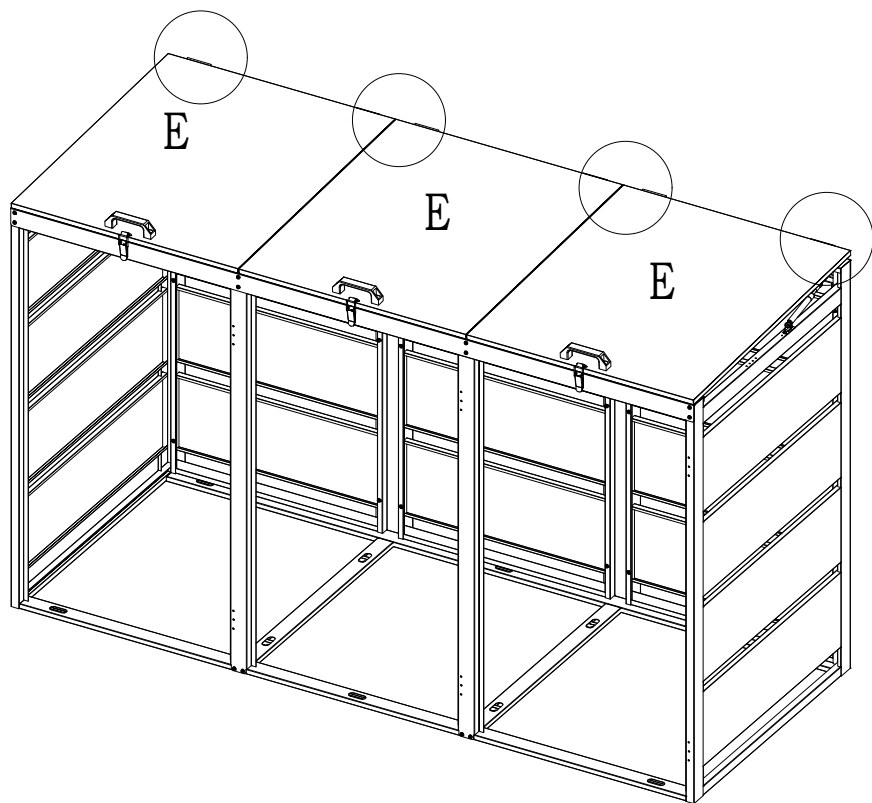
8



T×18 (M5)



S×12 (M4)





T x 18 (M5)



U x 10

